

Applus⁺
RVIS

CU24

Telescopic crane for inspections of hard to reach assets.



The CU 24 Series telescoping cranes are redefining visual inspection standards. The CU 24 delivers highly stable, sharp and magnified inspection visuals with a reach of 24 meters height. It all comes in a package that is engineered for remote maneuverability from the mobile media control van.

Inspectors can now process, record and optionally transmit in real-time high resolution inspection images and videos of hard to reach spots. The CU 24 is currently the safest, fastest and most cost effective visual inspection tool for assets such as pipe rack, site infrastructures, civil structures etc.



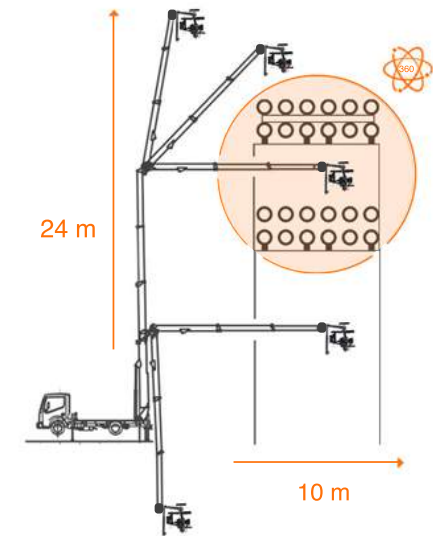
Visual inspection of:

- Elevated pipe racks
- Bridges
- Viaducts
- Railway lines



Benefits:

- ✔ Eliminates the need of working at height.
- ⌚ 5x faster than conventional method.
- 🛡️ Highest level of health and safety.



System	Service	Company
<ul style="list-style-type: none"> ● 21 MP with 50x optical zoom. ● Rain resistant. ● LED light support. ● Gas detection. ● Obstacle avoidance. 	<ul style="list-style-type: none"> ● High definition visual data. ● Thermal imagery. ● Comprehensive reports. 	<ul style="list-style-type: none"> ● Leader in Non Destructive Testing and inspection. ● Global representation in 70 countries. ● Highly experienced inspectors. ● Qualified operators.